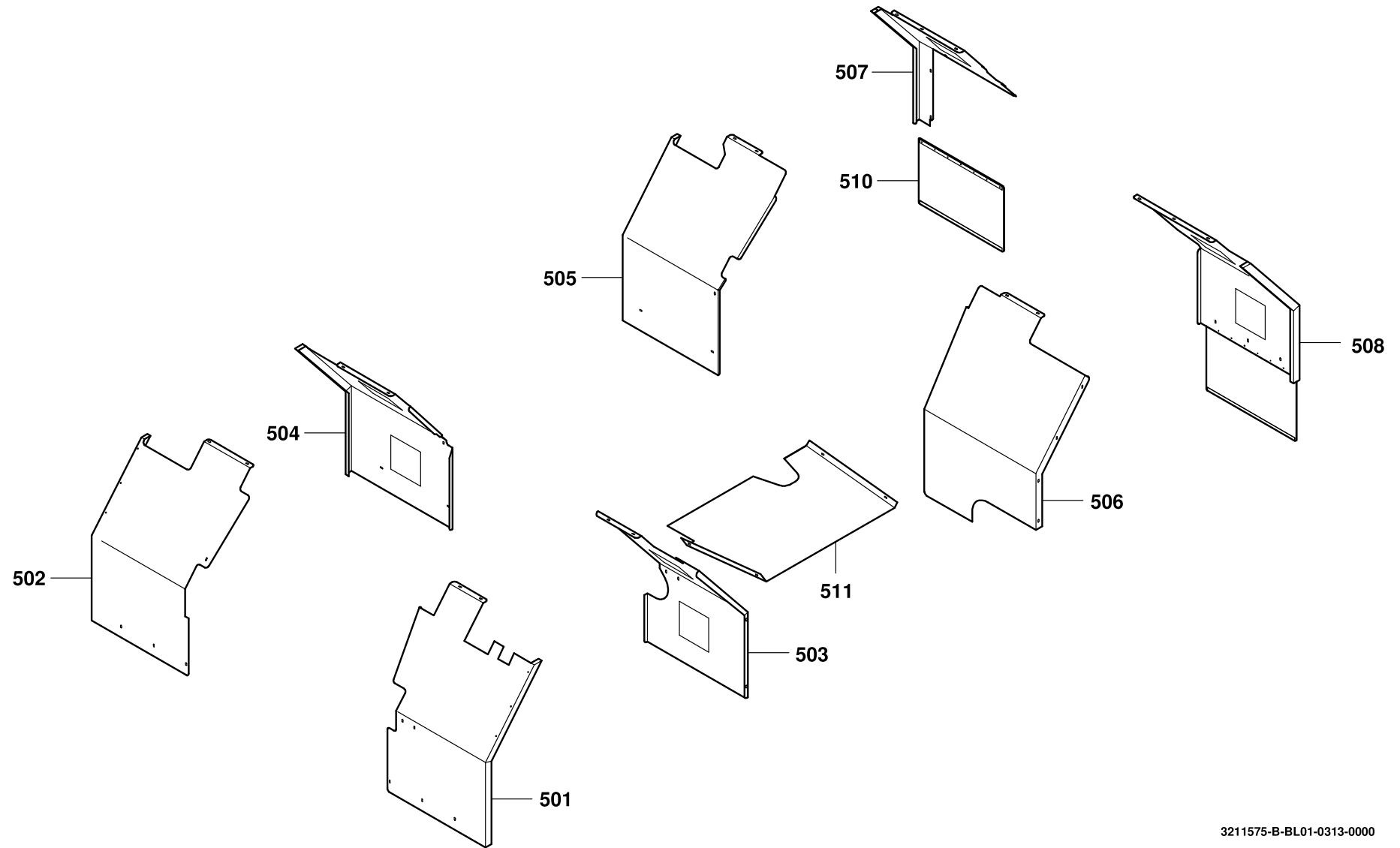


**GROVE**<sup>®</sup>SPRITZBLECHE 2,75M  
PROTECTING SHEET'S 2,75MBILDTADEL  
PICTORIAL DISPLAY**GMK 3050**  
**BE 503**  
**G 034**

03.13

**3211575-ETL B**

1/1



3211575-B-BL01-0313-0000